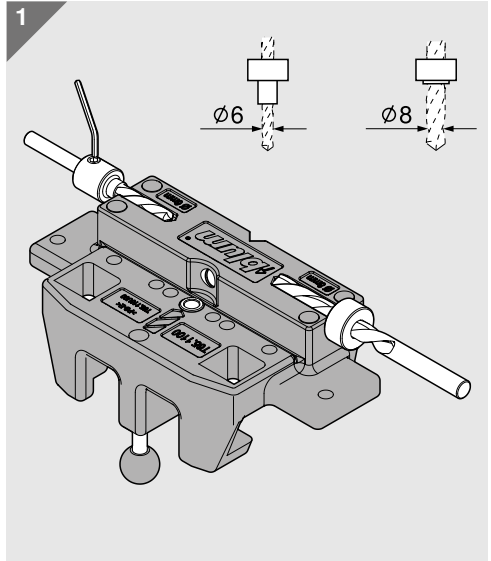
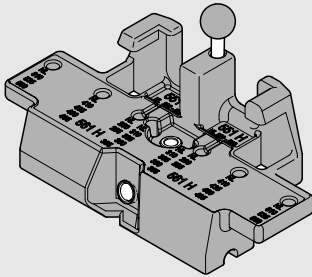
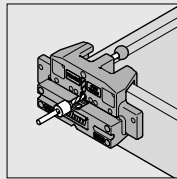
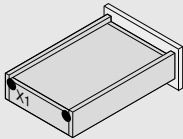


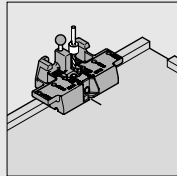
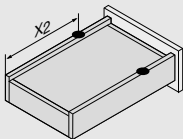
ML



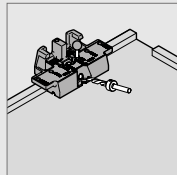
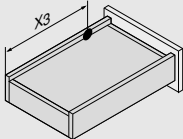
X1



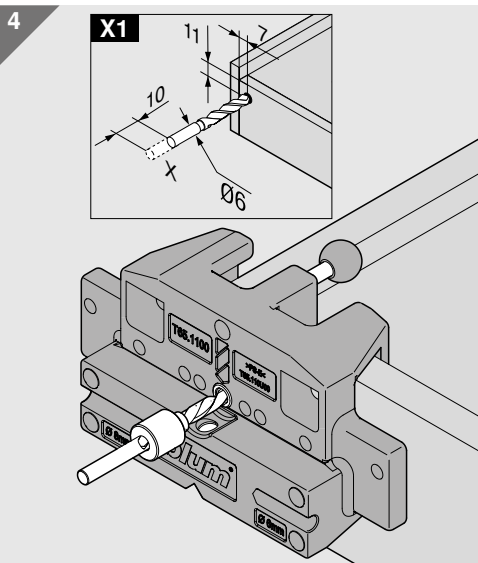
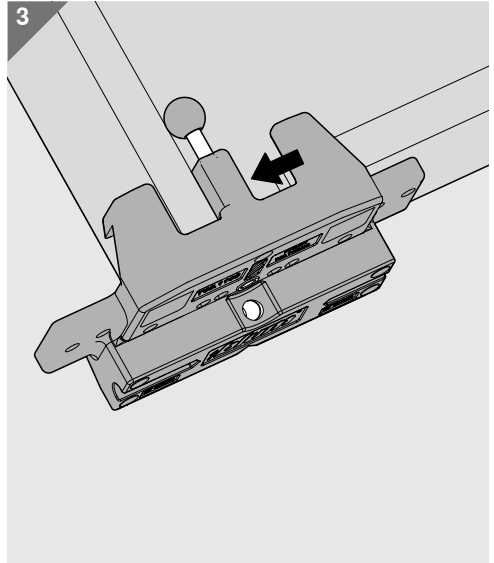
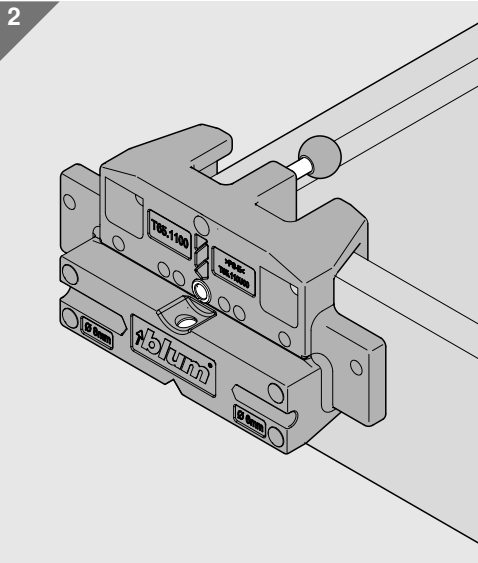
X2



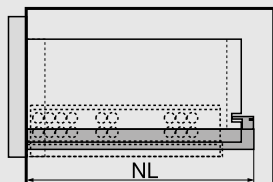
X3



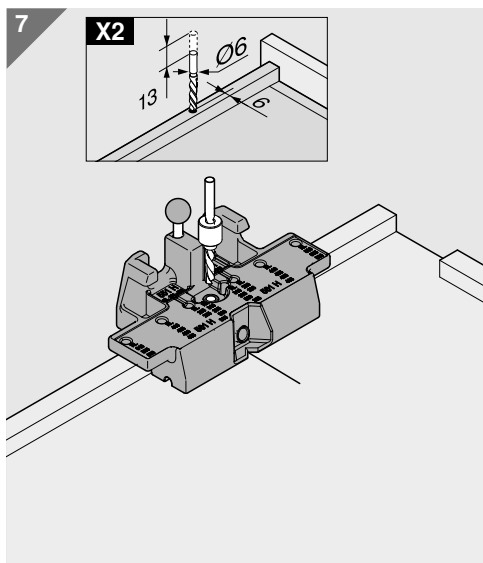
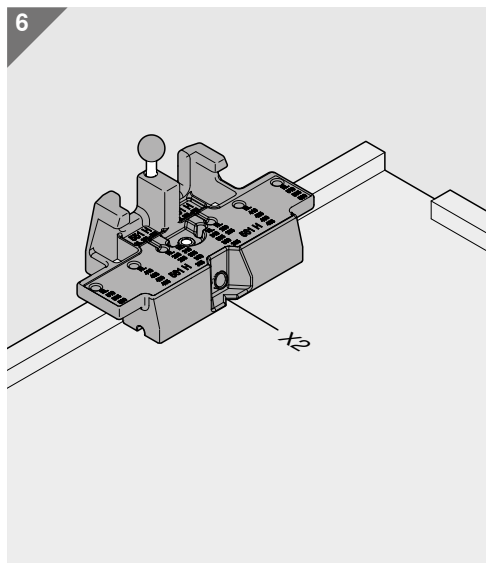
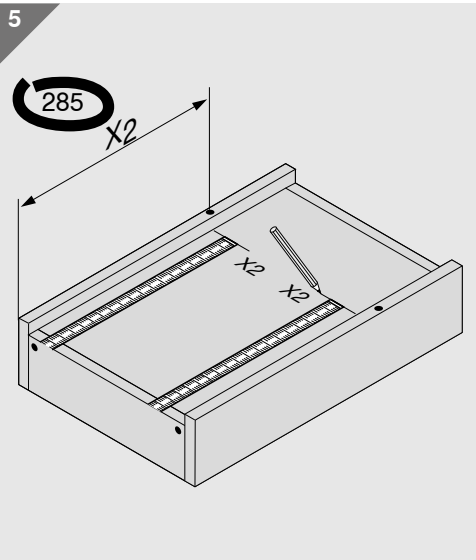
**X1** **TANDEM 551H / 561H**



## X2 TANDEM 551H / 561H

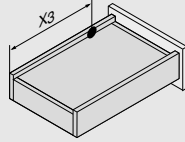
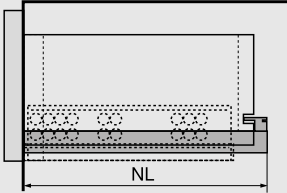


NL (mm)	X2 (mm)
260	205
285	220
310	230
335	245
360	275
385	285
410	300
435	310
460	335
485	350
510	360
535	375
560	405



**X3**

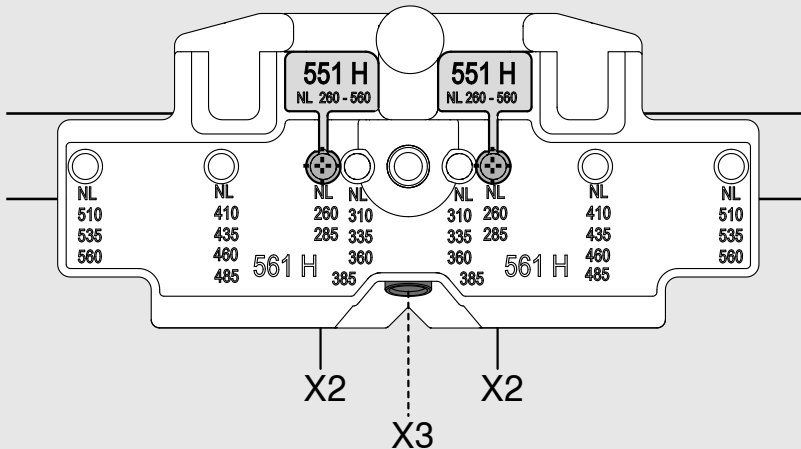
**TANDEM 551H**

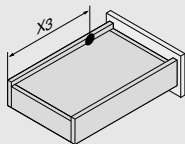
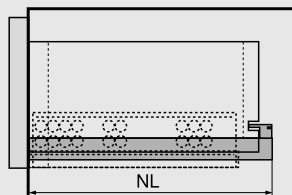


**551H**

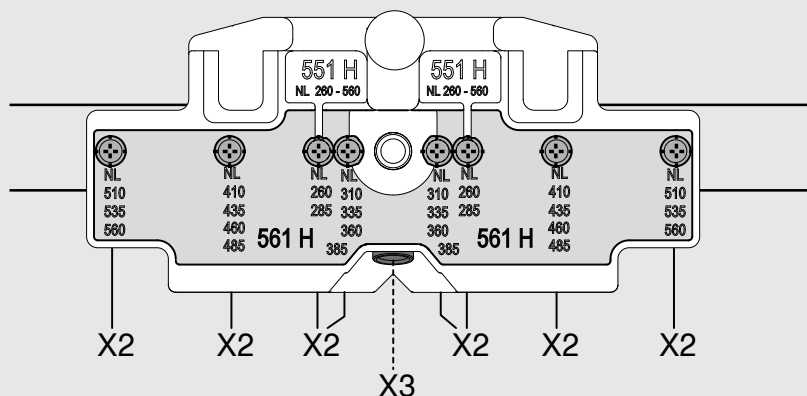


NL (mm)	X2 (mm)	X3 (mm)
260	205	185
285	220	200
310	230	210
335	245	225
360	275	255
385	285	265
410	300	280
435	310	290
460	335	315
485	350	330
510	360	340
535	375	355
560	405	385



**X3****TANDEM 561H****561H**

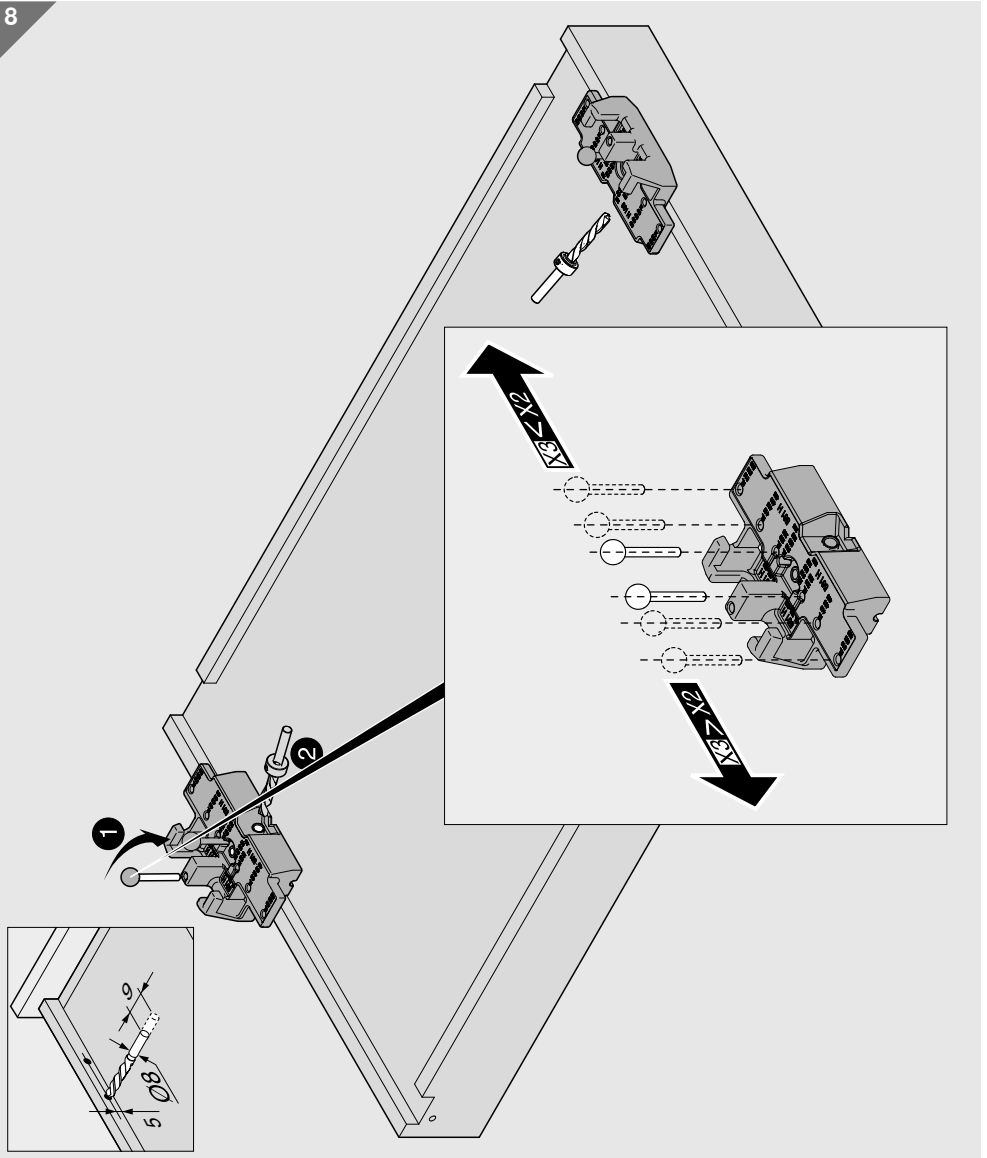
NL (mm)	X2 (mm)	X3 (mm)
260	205	185
285	220	200
310	230	242
335	245	257
360	275	287
385	285	297
410	300	344
435	310	354
460	335	379
485	350	394
510	360	436
535	375	451
560	405	481



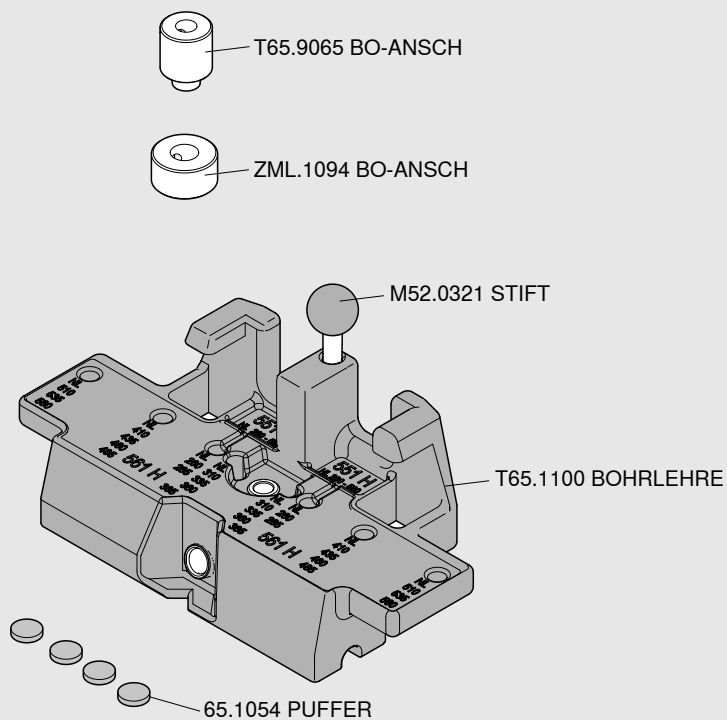
**X3**

**TANDEM 551H / 561H**

**8**



spare parts / Ersatzteile / pièces de rechange / pezzi di ricambio / peças de reposição





ISO 9001  
Certified Quality  
System



ISO 14001  
Certified Environmental  
System



ISO 50001  
Certified Energy  
System